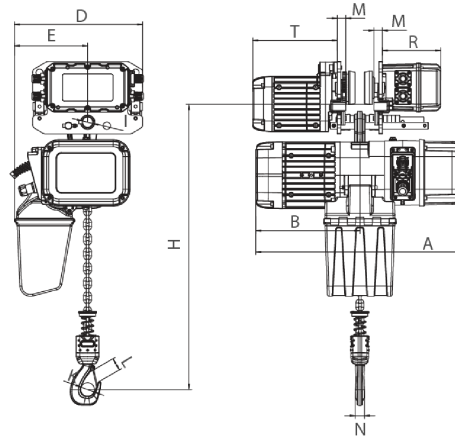




**5 ton Electric Chain Hoist w/ Power  
Trolley 1 Speed 380V 3Ø 50HZ**

## Especificaciones Técnicas

<b>Plug</b>	Open Leads	<b>Capacidad de Carga</b>	5 ton
<b>Altura de Izaje Estandard (Customizable)</b>	30 ft / 9 m	<b>Velocidad /min</b>	10.63 ft @60Hz 2.70 mt @50Hz
<b>Numero de Velocidades</b>	1 Speed	<b>Voltaje</b>	3 Phase 380V 50Hz
<b>Clase de Servicio</b>	H4/M5/2m/Class D	<b>Protección IEC Motor</b>	IP55
<b>Control</b>	Pendant Control IP66	<b>Voltaje del Control</b>	24V
<b>Tipo Transmisión / Reductor</b>	Spur gearbox	<b>Tipo de Cadena</b>	G100 Nickel
<b>Dimensiones de la Cadena</b>	11.2 mm	<b>Caidas de Cadena</b>	2
<b>Longitud de cadena</b>	60	<b>Humedad</b>	20%~90%
<b>Temperatura</b>	-4 ~ 104° F / -20 ~ 40° C	<b>Potencia del Trolley</b>	750
<b>Velocidad del Trolley /min</b>	43.30 ft @60Hz 11 mt @50Hz	<b>Cantidad de Velocidades</b>	1
<b>Normas</b>	ASME HST-1 , ASME B30.16 , B30.17 , EN60204-36	<b>Garantía</b>	3 Year
<b>Hoist Contactors Amps</b>	25A	<b>Hoist Contactor Brand</b>	Schneider
<b>Hoist Contactor Model</b>	LC1D25B7C	<b>Hoist Contactor Coil Voltage</b>	24 V
<b>IEC Hoist IP Protection</b>	IP55	<b>Pendant Control Yes No</b>	Yes
<b>IEC Pendant Control Protection</b>	IP66	<b>Pendant Control Emergency Stop</b>	Yes
<b>Pendant Control total Length</b>	27 ft	<b>Hoist Motor Power in KW</b>	3
<b>Hoist Motor Brake Type and DC Voltage</b>	DC170V	<b>Overload Protection</b>	Overload Motor Clutch
<b>Hour Meter</b>	Internal Working Hour Meter	<b>Brake rectifiers-half-wave</b>	PWRX-BKTF-HW
<b>Hoist Motor Insulation Grade</b>	F	<b>Recommended Hoist Protection Circuit Breaker AMPs and Type</b>	Type D 20A
<b>Optional Load Chain Brand &amp; Country of Origin</b>	FEC Japan	<b>Reducer Lubrication Type</b>	Oil
<b>Paint Specifications</b>	Electrostatic Sprayed Plastic (ESP) Epoxy resins, Polyester Resins, Barium, Pigments	<b>Trolley Motor Brake Type and DC Voltage</b>	DC170V
<b>Trolley Motor Insulation Grade</b>	F	<b>Trolley Contactors Amps</b>	40A
<b>Trolley Contactors Brand</b>	Schneider	<b>Trolley Contactors Model</b>	LC1D12B7C
<b>Trolley Contactors Coil Voltage</b>	24 V	<b>Trolley Wheel Diameter</b>	139
<b>Trolley Wheel Material</b>	No. 45 steel	<b>Trolley Minimum Turn Radius</b>	1.8 m / 5.9 ft
<b>Trolley Beam Range</b>	3.9" to 7"	<b>Trolley Beam Extension Kit</b>	up to 12"
<b>Load Chain weight per foot [lbs]</b>	1.83	<b>1st Package Type</b>	Wood Crate
<b>2nd Package Type</b>	Wood Crate		



Rated load (t)	Type	Dimension (mm)													
		Minimum distance from the bottom of the track to the bottom hook: H	A	L	B	D	E	I	M	N	K	L	T	R	
1	PWRXT1-01	473	440	3500-5500	285	210	20	105	140						
2	PWRXT2-01	516	590		276	368	210	31	24	25	42	32	242	167	
3	PWRXT3-01	600	681		350	422	264	36	28	35	52	42	242	167	
5	PWRXT5-02	645	681		350	478	307	43	30	34	59	48	242	167	

## Peso & Dimensiones

**Peso Total** 616 lbs / 280 Kg

## Detalles del Empaque

**H Altura Muerta** 31.89

**A Altura Total** 26.57

**D Depth** 27.36

**W Ancho** 16.54

**J Boca Gancho** 2.36

**Peso Total (sin cable o cadena)** 246.46

Referential Images / Imágenes Referenciales  
Specifications may change without notice / las especificaciones pueden cambiar sin previo aviso