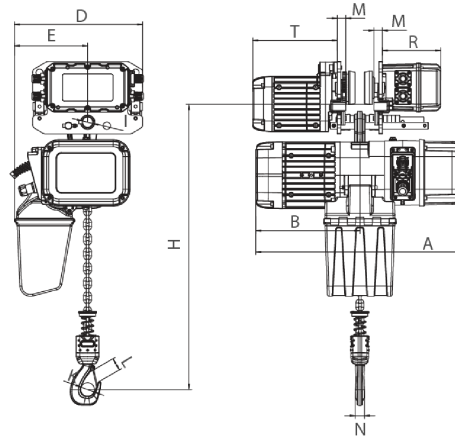




**1 ton Electric Chain Hoist w/ Power
Trolley Variable Speed 220V 1Ø
50~60HZ**

Especificaciones Técnicas

| | | | |
|--|--|---|----------------------------|
| Capacidad de Carga | 1 ton | Plug | Open Leads |
| Altura de Izaje Estandar (Customizable) | 20 ft / 6 m | Velocidad /min | ft @60Hz 0.8~7 mt @50Hz |
| Numero de Velocidades | Variable Speed | Voltaje | 1 Phase 220~240V 50/60Hz |
| Clase de Servicio | H4/M5/2m/Class D | Protección IEC Motor | IP55 |
| Control | Pendant Control IP66 | Voltaje del Control | 24V |
| Tipo Transmisión / Reductor | Spur gearbox | Tipo de Cadena | G100 Nickel |
| Dimensiones de la Cadena | 7.1 mm | Caidas de Cadena | 1 |
| Longitud de cadena | 20 | Humedad | 20%~90% |
| Temperatura | -4 ~ 104° F / -20 ~ 40° C | Potencia del Trolley | 500 |
| Velocidad del Trolley /min | 5.9~47.23 ft @60Hz 1.5~12 mt @50Hz | Cantidad de Velocidades | Variable |
| Normas | ASME HST-1 , ASME B30.16 , B30.17 , EN60204-33 | Garantía | 3 Year |
| Hoist VFD Brand | HUAYUAN | Hoist VFD Power | 4kW |
| VFD Model | Z230 | Brake Resistor Kw | 0.6Kw |
| IEC Hoist IP Protection | IP55 | Pendant Control Yes No | Yes |
| IEC Pendant Control Protection | IP66 | Pendant Control Emergency Stop | Yes |
| Pendant Control total Length | 17 ft | Hoist Motor Power in KW | 1.5 |
| Hoist Motor Brake Type and DC Voltage | DC170V | Overload Protection | Overload Motor Clutch |
| Hour Meter | Internal Working Hour Meter | Brake rectifiers-half-wave | PWRX-BKTF-HW |
| Hoist Motor Insulation Grade | F | Recommended Hoist Protection Circuit Breaker AMPs and Type | Type C 20A at 240V |
| Optional Load Chain Brand & Country of Origin | FEC Japan | Reducer Lubrication Type | Oil |
| Paint Specifications | Electrostatic Sprayed Plastic (ESP) Epoxy resins, Polyester Resins, Barium, Pigments | Trolley Motor Brake Type and DC Voltage | DC170V |
| Trolley Motor Insulation Grade | F | Trolley VFD Power in KW | 2.5kW |
| Trolley VFD Brand | Huayuan | Trolley VFD Model | Z230 |
| Trolley Wheel Diameter | 95 | Trolley Wheel Material | No. 45 steel |
| Trolley Minimum Turn Radius | 1.3 m / 4.2 ft | Trolley Beam Range | 2.5" to 8" |
| Trolley Beam Extension Kit | up to 12" | Load Chain weight per foot [lbs] | 0.74 |
| 1st Package Type | Wood Crate | 2nd Package Type | Wood Crate |



| Rated load (t) | Type | Dimension (mm) | | | | | | | | | | | | | |
|----------------|-----------|---|-----|-----------|-----|-----|-----|-----|-----|----|----|----|-----|-----|--|
| | | Minimum distance from the bottom of the track to the bottom hook: H | A | L | B | D | E | I | M | N | K | L | T | R | |
| 1 | PWRXT1-01 | 473 | 440 | 3500-5500 | 285 | 210 | 20 | 105 | 140 | | | | | | |
| 2 | PWRXT2-01 | 516 | 590 | | 276 | 368 | 210 | 31 | 24 | 25 | 42 | 32 | 242 | 167 | |
| 3 | PWRXT3-01 | 600 | 681 | | 350 | 422 | 264 | 36 | 28 | 35 | 52 | 42 | 242 | 167 | |
| 5 | PWRXT5-02 | 645 | 681 | | 350 | 478 | 307 | 43 | 30 | 34 | 59 | 48 | 242 | 167 | |

Peso & Dimensiones

Peso Total 409 lbs / 186 Kg

Detalles del Empaque

H Altura Muerta 20.31

A Altura Total 20.31

D Depth 23.23

W Ancho 14.49

J Boca Gancho 1.65

Peso Total (sin cable o cadena) 190.22

Referential Images / Imágenes Referenciales
Specifications may change without notice / las especificaciones pueden cambiar sin previo aviso