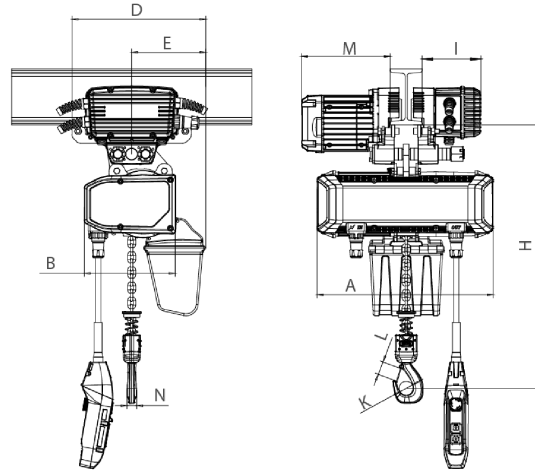




**1/2 ton Electric Chain Hoist w/  
Power Trolley 2 Speed 380V 3ø  
50HZ 13ft G100 Nickel Duty H4/M5**

## Especificaciones Técnicas

<b>Capacidad de Carga</b>	1/2 ton	<b>Altura de Izaje Estandar (Customizable)</b>	13 ft / 4 m
<b>Velocidad /min</b>	1 st speed : (9.84 ft @60Hz - 2.5 mt @50Hz) / 2 nd speed : (31.49 ft @60Hz - 8 mt @50Hz)	<b>Numero de Velocidades</b>	2 Speed
<b>Voltaje</b>	3 Phase 380V 50Hz	<b>Protección IEC Motor</b>	IP55
<b>Tipo Transmisión / Reductor</b>	Spur gearbox	<b>Tipo de Cadena</b>	G100 Nickel
<b>Dimensiones de la Cadena</b>	6.3mm	<b>Caidas de Cadena</b>	1
<b>Longitud de cadena</b>	13	<b>Humedad</b>	20%~90%
<b>Temperatura</b>	-4 ~ 104° F / -20 ~ 40° C	<b>Normas</b>	ASME HST-1 , ASME B30.16 , EN60204-37
<b>Garantía</b>	3 Year	<b>Hoist Contactors Amps</b>	10A
<b>Hoist Contactor Brand</b>	Schneider	<b>Hoist UL Components</b>	UL Listed Contactors
<b>Hoist Contactor Model</b>	LC1K09008 / LC2K0910 / LC1K0910	<b>Hoist Contactor Coil Voltage</b>	48V
<b>IEC Hoist IP Protection</b>	IP55	<b>Pendant Control Yes No</b>	Yes
<b>IEC Pendant Control Protection</b>	IP66	<b>Pendant Control Emergency Stop</b>	Yes
<b>Pendant Control total Length</b>	10 ft	<b>Hoist Motor Power in KW</b>	0.75
<b>Hoist Motor Brake Type and DC Voltage</b>	DC170V	<b>Overload Protection</b>	Overload Motor Clutch
<b>Hour Meter</b>	Internal Working Hour Meter	<b>Brake rectifiers-half-wave</b>	PWRX-BKTF-HW
<b>Hoist Motor Insulation Grade</b>	F	<b>Recommended Hoist Protection Circuit Breaker AMPs and Type</b>	Type D 3A at 380V
<b>Optional Load Chain Brand &amp; Country of Origin</b>	FEC Japan	<b>Reducer Lubrication Type</b>	Oil
<b>Paint Specifications</b>	Electrostatic Sprayed Plastic (ESP) Epoxy resins, Polyester Resins, Barium, Pigments	<b>Load Chain weight per foot [lbs]</b>	0.58
<b>1st Package Type</b>	Wood Crate	<b>2nd Package Type</b>	Wood Crate



Rated load (t)	Type	Dimension (mm)							
		Minimum distance from the bottom of the track to the bottom hook: H	A	L	B	D	E	I	M
0.25	PWRXT0.25-01	473	440	3500-5500	285	210	20	105	140
0.5	PWRXT0.5-01	473	440		285	210	20	105	140

## Peso & Dimensiones

**Peso Total** 149.6 lbs / 68 Kg

## Detalles del Empaque

**H Altura Muerta** 15.59

**A Altura Total** 15.59

**D Depth** 17.32

**W Ancho** 12.01

**J Boca Gancho** 1.38

**Peso Total (sin cable o cadena)** 113.49

Referential Images / Imágenes Referenciales

Specifications may change without notice / las especificaciones pueden cambiar sin previo aviso