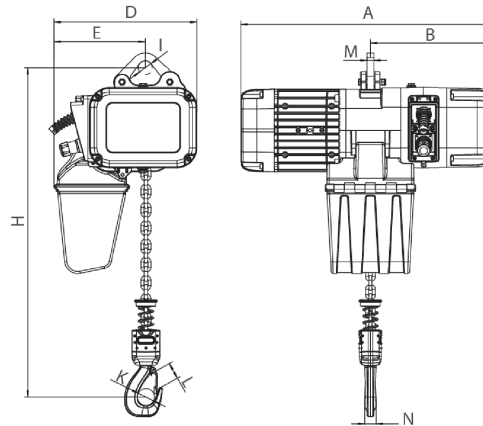




**3 ton Electric Chain Hoist Variable
Speed 220V~240V 50~60HZ 30ft
G100 Nickel Duty H4/M5**

Especificaciones Técnicas

| | | | |
|--|--|---|---------------------------|
| Capacidad de Carga | 3 ton | Altura de Izaje Estandard (Customizable) | 30 ft / 9 m |
| Velocidad /min | ft @60Hz 0.7~5.4 mt @50Hz | Numero de Velocidades | Variable Speed |
| Voltaje | 1 Phase 220~240V 50/60Hz | Clase de Servicio | H4/M5/2m/Class D |
| Protección IEC Motor | IP55 | Control | Pendant Control IP66 |
| Voltaje del Control | 24V | Tipo Transmisión / Reductor | Spur gearbox |
| Tipo de Cadena | G100 Nickel | Dimensiones de la Cadena | 11.2 mm |
| Caidas de Cadena | 1 | Longitud de cadena | 30 |
| Humedad | 20%~90% | Temperatura | -4 ~ 104° F / -20 ~ 40° C |
| Normas | ASME HST-1 , ASME B30.16 , EN60204-35 | Garantía | 3 Year |
| Hoist VFD Brand | HUAYUAN | Hoist VFD Power | 4kW VFD |
| VFD Model | Z230 | Brake Resistor Kw | 1Kw |
| IEC Hoist IP Protection | IP55 | Pendant Control Yes No | Included |
| IEC Pendant Control Protection | IP66 | Pendant Control Emergency Stop | Yes |
| Pendant Control total Length | 27 ft | Hoist Motor Power in KW | 3 |
| Hoist Motor Brake Type and DC Voltage | DC170V | Overload Protection | Overload Motor Clutch |
| Hour Meter | Internal Working Hour Meter | Brake rectifiers-half-wave | PWRX-BKTF-HW |
| Hoist Motor Insulation Grade | F | Recommended Hoist Protection Circuit Breaker AMPs and Type | Type C 20A at 240V |
| Optional Load Chain Brand & Country of Origin | FEC Japan | Reducer Lubrication Type | Oil |
| Paint Specifications | Electrostatic Sprayed Plastic (ESP) Epoxy resins, Polyester Resins, Barium, Pigments | Load Chain weight per foot [lbs] | 1.83 |
| 1st Package Type | Wood Crate | | |



[Size list: mm]

| Rated load (t) | Type | Minimum distance between hooks: H | A | B | D | E | I | M | N | K | L |
|----------------|-----------|-----------------------------------|-----|-----|-----|-----|----|----|----|----|----|
| 1 | PWRXF1-01 | 455 | 590 | 276 | 330 | 210 | 32 | 16 | 25 | 42 | 32 |
| 2 | PWRXF2-01 | 550 | 590 | 276 | 330 | 210 | 38 | 20 | 35 | 52 | 42 |
| 3 | PWRXF3-01 | 560 | 695 | 350 | 420 | 265 | 45 | 20 | 34 | 59 | 48 |
| 5 | PWRXF5-02 | 675 | 695 | 350 | 420 | 307 | 55 | 28 | 44 | 60 | 48 |

Peso & Dimensiones

| | | | |
|-------------------|------------------|--|--------|
| Peso Total | 330 lbs / 150 Kg | H Altura Muerta | 25.39 |
| | | A Altura Total | 22.05 |
| | | D Depth | 27.36 |
| | | W Ancho | 16.54 |
| | | J Boca Gancho | 2.32 |
| | | Peso Total (sin cable o cadena) | 191.23 |

Referential Images / Imágenes Referenciales
Specifications may change without notice / las especificaciones pueden cambiar sin previo aviso