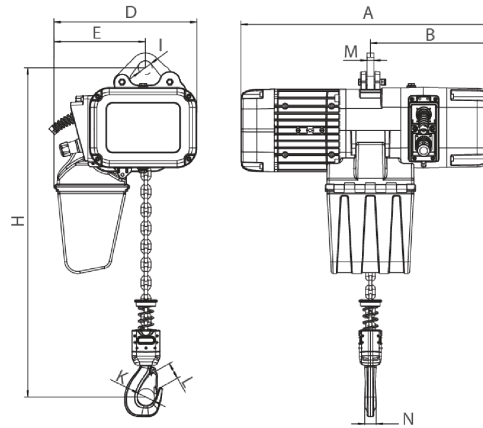




**1 ton Electric Chain Hoist 2 Speed
575V 3Ø 50/60HZ**

Especificaciones Técnicas

Capacidad de Carga	1 ton	Altura de Izaje Estandar (Customizable)	20 ft / 6 m
Velocidad /min	1 st speed : (7.8 ft @60Hz - 2 mt @50Hz) / 2 nd speed : (42.6 ft @60Hz - 6.5 mt @50Hz)	Numero de Velocidades	2 Speed
Voltaje	3 Phase 575v 50/60 Hz	Clase de Servicio	H4/M5/2m/Class D
Protección IEC Motor	IP55	Control	Pendant Control IP66
Voltaje del Control	24V	Tipo Transmisión / Reductor	Spur gearbox
Tipo de Cadena	G100 Nickel	Dimensiones de la Cadena	7.1 mm
Caidas de Cadena	1	Longitud de cadena	20
Humedad	20%~90%	Temperatura	-4 ~ 104° F / -20 ~ 40° C
Normas	ASME HST-1 , ASME B30.16 , EN60204-33	Garantía	3 Year
Hoist Contactors Amps	18A	Hoist Contactor Brand	Schneider
Hoist Contactor Coil Voltage	24 V	IEC Hoist IP Protection	IP55
Pendant Control Yes No	Yes	IEC Pendant Control Protection	IP66
Pendant Control Emergency Stop	Yes	Pendant Control total Length	17 ft
Hoist Motor Power in KW	1.5	Hoist Motor Brake Type and DC Voltage	DC260V
Overload Protection	Overload Motor Clutch	Hour Meter	Internal Working Hour Meter
Brake rectifiers-half-wave	PWRX-BKTF-HW	Hoist Motor Insulation Grade	F
Recommended Hoist Protection Circuit Breaker AMPs and Type	Type D 15A	Optional Load Chain Brand & Country of Origin	FEC Japan
Reducer Lubrication Type	Oil	Paint Specifications	Electrostatic Sprayed Plastic (ESP) Epoxy resins, Polyester Resins, Barium, Pigments
Load Chain weight per foot [lbs]	0.74	1st Package Type	Wood Crate



[Size list: mm]

Rated load (t)	Type	Minimum distance between hooks: H	A	B	D	E	I	M	N	K	L
1	PWRXF1-01	455	590	276	330	210	32	16	25	42	32
2	PWRXF2-01	550	590	276	330	210	38	20	35	52	42
3	PWRXF3-01	560	695	350	420	265	45	20	34	59	48
5	PWRXF5-02	675	695	350	420	307	55	28	44	60	48

Peso & Dimensiones

Peso Total	209 lbs / 95 Kg	H Altura Muerta	20.31
		A Altura Total	17.91
		D Depth	23.23
		W Ancho	12.99
		J Boca Gancho	1.65
		Peso Total (sin cable o cadena)	113.22

Referential Images / Imágenes Referenciales
Specifications may change without notice / las especificaciones pueden cambiar sin previo aviso