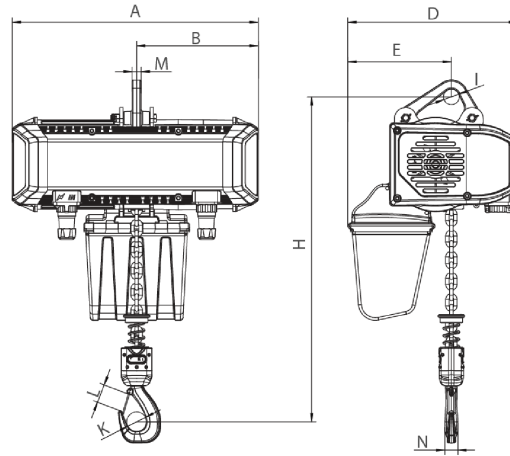




**1/2 ton Electric Chain Hoist 2  
Speed 380V 3Ø 50HZ 13ft G100  
Nickel Duty H4/M5**

## Especificaciones Técnicas

<b>Capacidad de Carga</b>	1/2 ton	<b>Altura de Izaje Estandar (Customizable)</b>	13 ft / 4 m
<b>Velocidad /min</b>	1 st speed : (9.84 ft @60Hz - 2.5 mt @50Hz) / 2 nd speed : (31.49 ft @60Hz - 8 mt @50Hz)	<b>Numero de Velocidades</b>	2 Speed
<b>Voltaje</b>	3 Phase 380V 50Hz	<b>Clase de Servicio</b>	H4/M5/2m/Class D
<b>Protección IEC Motor</b>	IP55	<b>Control</b>	Pendant Control IP66
<b>Voltaje del Control</b>	48V	<b>Tipo Transmisión / Reductor</b>	Spur gearbox
<b>Tipo de Cadena</b>	G100 Nickel	<b>Dimensiones de la Cadena</b>	6.3mm
<b>Caidas de Cadena</b>	1	<b>Longitud de cadena</b>	13
<b>Humedad</b>	20%~90%	<b>Temperatura</b>	-4 ~ 104° F / -20 ~ 40° C
<b>Normas</b>	ASME HST-1 , ASME B30.16 , EN60204-37	<b>Garantía</b>	3 Year
<b>Hoist Contactors Amps</b>	10A	<b>Hoist Contactor Brand</b>	Schneider
<b>Hoist UL Components</b>	UL Listed Contactors	<b>Hoist Contactor Model</b>	LC1K09008 / LC2K0910 / LC1K0910
<b>Hoist Contactor Coil Voltage</b>	48V	<b>IEC Hoist IP Protection</b>	IP55
<b>Pendant Control Yes No</b>	Yes	<b>IEC Pendant Control Protection</b>	IP66
<b>Pendant Control Emergency Stop</b>	Yes	<b>Pendant Control total Length</b>	10 ft
<b>Hoist Motor Power in KW</b>	0.75	<b>Hoist Motor Brake Type and DC Voltage</b>	DC170V
<b>Overload Protection</b>	Overload Motor Clutch	<b>Hour Meter</b>	Internal Working Hour Meter
<b>Brake rectifiers-half-wave</b>	PWRX-BKTF-HW	<b>Hoist Motor Insulation Grade</b>	F
<b>Recommended Hoist Protection Circuit Breaker AMPs and Type</b>	Type D 2A at 380V	<b>Optional Load Chain Brand &amp; Country of Origin</b>	FEC Japan
<b>Reducer Lubrication Type</b>	Oil	<b>Paint Specifications</b>	Electrostatic Sprayed Plastic (ESP) Epoxy resins, Polyester Resins, Barium, Pigments
<b>Load Chain weight per foot [lbs]</b>	0.58	<b>1st Package Type</b>	Wood Crate



[Size list: mm]

Rated load (t)	Type	Minimum distance between hooks: H	A	B	D	E	I	M	N	K	L
0.25	PWRXF0.25-01	385	440	218	305	186	28	16	20	35	31
0.5	PWRXF0.5-01	385	440	218	305	186	28	16	20	35	31

## Peso & Dimensiones

**Peso Total** 74.8 lbs / 34 Kg

## Detalles del Empaque

**H Altura Muerta** 15.59

**A Altura Total** 15.59

**D Depth** 17.32

**W Ancho** 12.01

**J Boca Gancho** 1.38

**Peso Total (sin cable o cadena)** 64.49

Referential Images / Imágenes Referenciales  
Specifications may change without notice / las especificaciones pueden cambiar sin previo aviso