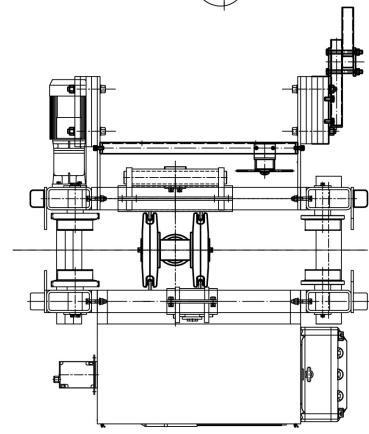
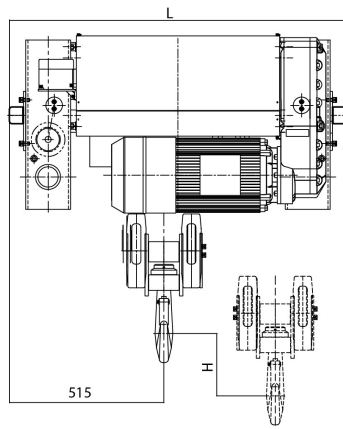
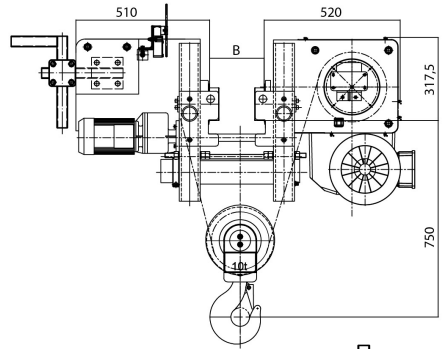
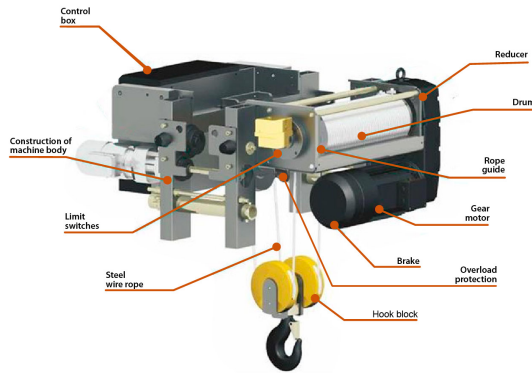




Tecle Polipasto Prowinch c/carro electrico Monoviga 6.3 Tons trifasico

Especificaciones Técnicas

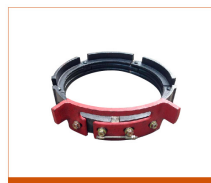
| | | | |
|-------------------------------|--|--|---|
| Capacidad de Carga | 6000 kg / 13 889 lb | Altura de Izaje Estandard (Customizable) | 40 ft / 12 m |
| Velocidad /min | 2.62 - 16.4 ft/min / 0.8 - 5 m /min | Numero de Velocidades | 2 Speed |
| Voltaje | 3 Phase 208~240/480V 50/60Hz | Clase de Servicio | H4/M5/2m/Class D |
| Tipo de Motor | Squirrel Cage Induction Motor | AMP Motor | 12.7 A (@ 380v) |
| RPM Motor | 2930 / 470 rpm (@50hz) | Freno Motor | Sew Eurodrive BE5 Electromagnetic Release Brake >125% |
| Grado de Aislacion | F | Protección IEC Motor | IP55 |
| Protección Tablero de Control | IP65 | Freno Dinámico | Included |
| Control | Pendant Control and Remote Control Telecontrol F24-6D | Voltaje del Control | 48V |
| Marca Motor de Izaje | Sew Eurodrive DRS132M12 | Reductor de Izaje | Sew Eurodrive G77 |
| Tipo Transmisión / Reductor | Sew Eurodrive G77 | Relación de Transmisión | 87.32 |
| Cable | Ø 8.8 mm K19S IWRC 2160 | Humedad | <85% |
| Temperatura | -4°~104° F / -20°~40° C | Reductor Carro | SEW Eurodrive RF17 |
| Motor Carro | SEW Eurodrive DRN71M4 | Potencia del Trolley | 0.37 ~ 0.64 kW |
| Nivel de Ruido | 82 dB | Velocidad del Trolley /min | 16 ~ 65 ft/min. / 5 ~ 20 m/min |
| Cantidad de Velocidades | 2 | Rango de ancho de la Viga | 7.9~13.7 in / 200~350 mm |
| Normas | ASME HST-4 , ASME B30.16 , B30.17 , EN14492-2 , EN60204-32 | Garantía | 3 Year |
| Hoist Contactor Brand | Schneider or EATON | | |



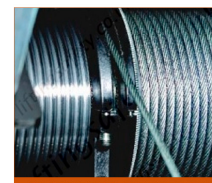
DRIVE TECHNOLOGY
SEW Eurodrive high performance Motor, reducer and brake. Compact design, light weight, low energy consumption, low noise and eco-friendly design. Electromagnetic brake disc (Asbestos-free). Long Service life and easy maintenance.



OVERLOAD PROTECTION
Load Cell connected to a Limit Relay (Adjustable) to avoid overloading of the hoist.



WIRE ROPE GUIDE
Helps the winding of the rope on the drum. Light weight and highly resistance. Design to reduce friction on the wire rope and avoid premature wear.



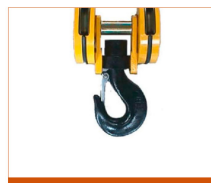
HIGH-PERFORMANCE WIRE ROPES
High-performance wire rope with tensile strength up to 2160Mpa. Galvanized surface and high flexibility to ensure long service life.



DRUM
Q345 steel, seamless grooved drum. Design to fulfill FEM and ASME standards and ensure a safe operation.



LIMIT SWITCHES
High precision adjustable height limit switches, for all movements of hoist and trolley.



LIFTING HOOK GROUP
DIN standard lifting hook with safety clasp. Forged by the high-strength material of T grade.



CONTROL BOX
Electric Control box with Schneider Inverter, Eaton contactors and components. Compact design, easy access, IP65 Enclosure.

Detalles del Empaque

| | |
|-------------------------|-------|
| H Altura Muerta | 23.46 |
| A Altura Total | 33.31 |
| X Diametro Rueda | 3.94 |

Referential Images / Imágenes Referenciales
Specifications may change without notice / las especificaciones pueden cambiar sin previo aviso