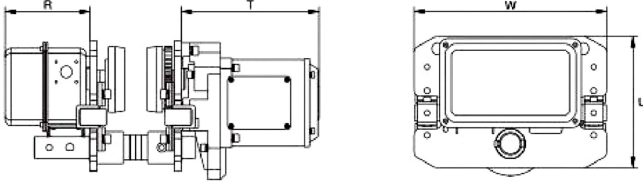


7.5 Ton Power Trolley 380V 60HZ with Limit Switches Pendant not Included



Especificaciones Técnicas

Voltaje	3 Phase 380V 50Hz	Garantía	3 Year
T Motor del Carro	9.09 in / 231 mm	R Carro Ancho Caja	6 in / 142 mm



Model / Modelo	PWQE1TI	PWQE2TI	PWQE3TI	PWQE5TI	PWQE7TI	PWQE10TI
Dimensions / Dimensiones	W	12.4 in / 315mm	12.7 / 325mm	13.3in / 340mm	15.7 in/ 400mm	26.5 in / 670 mm
	U	8.3 in / 212mm	8.6mm / 220mm	9.8 in / 250mm	11.4 in / 291mm	-
	R	5.5 in / 142mm	5.5 in / 142mm	5.5 in / 142mm	5.5 in / 142mm	9 in / 231 mm
	T	9 in / 231mm	9 in / 231mm	9 in / 231mm	9 in / 231mm	5.6 in / 142 mm

Peso & Dimensiones

Detalles del Empaque

Peso Total 202 lbs / 92 Kg

A Altura Total 15

W Ancho 19.69

Referential Images / Imágenes Referenciales
 Specifications may change without notice / las especificaciones pueden cambiar sin previo aviso