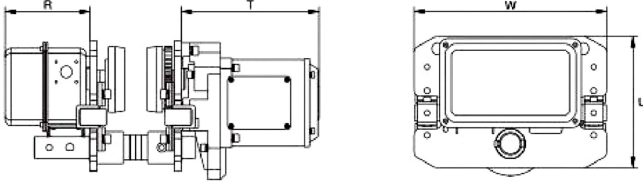


## 5 Ton Power Trolley 380V 60HZ with Limit Switches Pendant not Included



### Especificaciones Técnicas

<b>Capacidad de Carga</b>	11000 lb / 5000 kg	<b>Voltaje</b>	3 Phase 380V 50Hz
<b>Velocidad del Trolley /min</b>	43 ft / 13 m @ 60 HZ   36 ft / 11 @ 50 HZ	<b>Rango de ancho de la Viga</b>	4~7 in / 100~178 mm
<b>Radio Minimo de Giro</b>	5 ft / 1.5 m	<b>Normas</b>	ASME B30.17
<b>Garantía</b>	3 Year	<b>T Motor del Carro</b>	9.09 in / 231 mm
<b>R Carro Ancho Caja</b>	6 in / 142 mm		



Model / Modelo	PWQE1TI	PWQE2TI	PWQE3TI	PWQE5TI	PWQE7TI	PWQE10TI
<b>W</b>	12.4 in / 315mm	12.7 / 325mm	13.3in / 340mm	15.7 in/ 400mm	26.5 in / 670 mm	19.6in / 500mm
<b>U</b>	8.3 in / 212mm	8.6mm / 220mm	9.8 in / 250mm	11.4 in / 291mm	-	14.6in / 371mm
<b>R</b>	5.5 in / 142mm	5.5 in / 142mm	5.5 in / 142mm	5.5 in / 142mm	9 in / 231 mm	5.5 in / 142mm
<b>T</b>	9 in / 231mm	9 in / 231mm	9 in / 231mm	9 in / 231mm	5.6 in / 142 mm	9 in / 231mm

## Peso & Dimensiones

## Detalles del Empaque

**Peso Total** 180.4 lbs / 82 Kg

**A Altura Total** 11.5

**W Ancho** 15.75

Referential Images / Imágenes Referenciales  
 Specifications may change without notice / las especificaciones pueden cambiar sin previo aviso