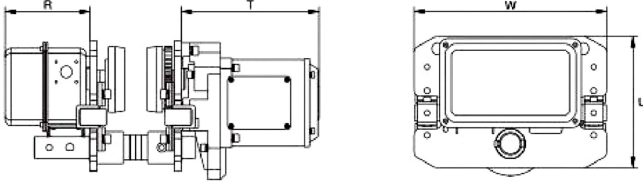


10 Ton Power Trolley 380V 60HZ with Limit Switches Pendant not Included



Especificaciones Técnicas

Capacidad de Carga	22000 lb / 10000 kg	Voltaje	3 Phase 380V 50Hz
Velocidad del Trolley /min	43 ft / 13 m @ 60 HZ 36 ft / 11 @ 50 HZ	Rango de ancho de la Viga	5.9~8.6 in / 150~220 mm
Radio Minimo de Giro	6.56 ft / 2 m	Normas	ASME B30.17
Garantía	3 Year	T Motor del Carro	9.09 in / 231 mm
R Carro Ancho Caja	6 in / 142 mm		



Model / Modelo	PWQE1TI	PWQE2TI	PWQE3TI	PWQE5TI	PWQE7TI	PWQE10TI	
Dimensions / Dimensiones	W	12.4 in / 315mm	12.7 / 325mm	13.3in / 340mm	15.7 in/ 400mm	26.5 in / 670 mm	19.6in / 500mm
	U	8.3 in / 212mm	8.6mm / 220mm	9.8 in / 250mm	11.4 in / 291mm	-	14.6in / 371mm
	R	5.5 in / 142mm	5.5 in / 142mm	5.5 in / 142mm	5.5 in / 142mm	9 in / 231 mm	5.5 in / 142mm
	T	9 in / 231mm	9 in / 231mm	9 in / 231mm	9 in / 231mm	5.6 in / 142 mm	9 in / 231mm

Peso & Dimensiones

Detalles del Empaque

Peso Total 290.4 lbs / 132 Kg

A Altura Total 8.5

W Ancho 12.4

Referential Images / Imágenes Referenciales
 Specifications may change without notice / las especificaciones pueden cambiar sin previo aviso