

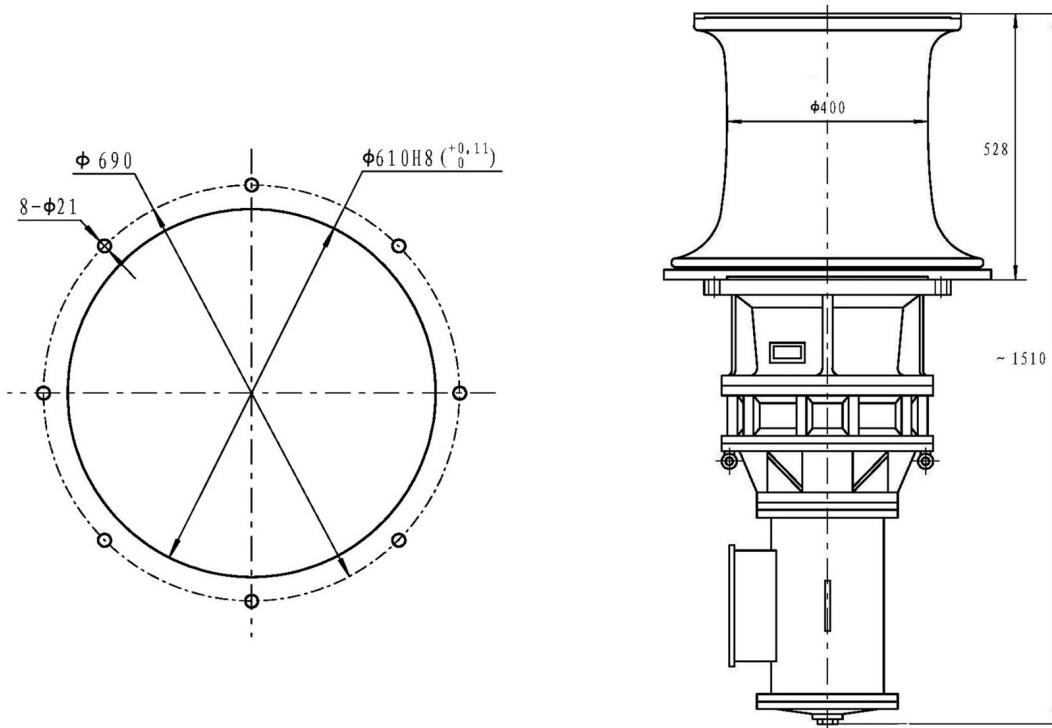


Cabrestante Marino Electrico de 1 Tonelada 39 ft/min

Copyright: The pictures contained in this site belong to Prowinch LLC and are protected by copyright under national and international law. This information may not be reproduced, adapted or modified without the written consent of Prowinch LLC. The use of these images and texts implies that you should mention Prowinch LLC as owner. By consulting this site or downloading any information you agree to these conditions.

Especificaciones Técnicas

Capacidad de Carga	2200 lb / 1000 kg	Reductor	BLY-33-71
Velocidad /min	15.9 - 52.4 ft/min [4.85 - 16 m/min]	Numero de Velocidades	2 Speed
Voltaje	3 Phase 480V 60Hz	Clase de Servicio	H4/M5/2m/Class D
Tipo de Motor	JZ2-H23-4/12	Potencia Motor	4.3 / 1.7 kW
Tipo Transmisión / Reductor	Straight transmision BLY-33-71 (Vertical Motor)	Relación de Transmisión	71 : 1
Cable Recomendado	48 mm	Tipo de Tambor	Capstan
Garantía	1 Year	BD ø Diámetro Tambor	260 mm



Referential Images / Imágenes Referenciales
Specifications may change without notice / las especificaciones pueden cambiar sin previo aviso